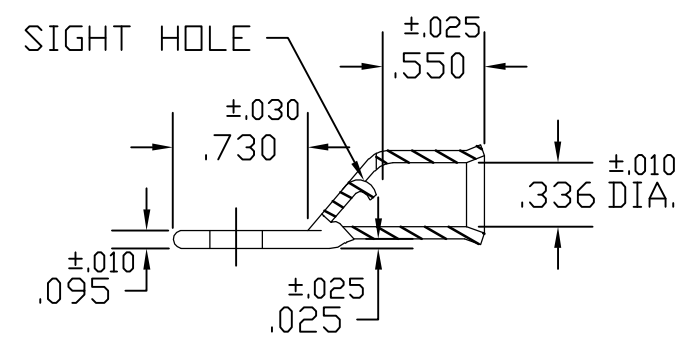
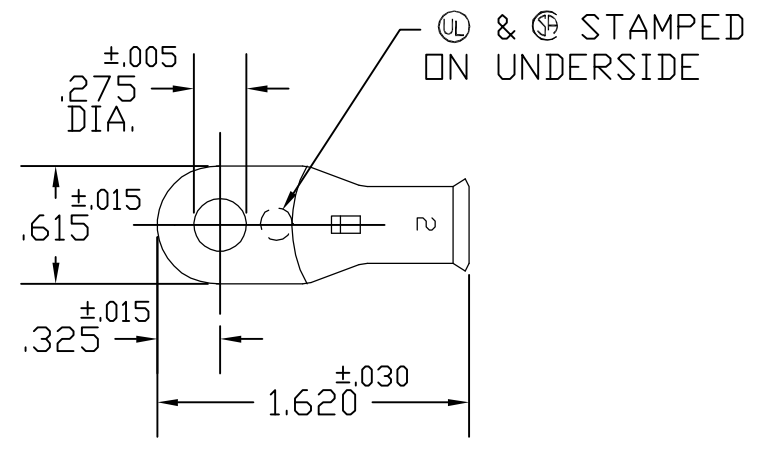


THIS DRAWING IS UNPUBLISHED. RELEASED FOR PUBLICATION
 © COPYRIGHT BY TYCO ELECTRONICS CORPORATION. ALL RIGHTS RESERVED.

LOC	DIST	REVISIONS					
		P	LTR	DESCRIPTION	DATE	DWN	APVD
G	50		A2	ADDED -4 PER ECR 06-029761	19DEC06	JR	DD

1 PRELIMINARY - NOT FOR PRODUCTION



1	PRELIMINARY	---	STANDARD	NICKEL PLATE	1526291-4
	ACTIVE	2141-03	STANDARD	TIN PLATE	1526291-2
	ACTIVE	2141-02	STANDARD	PLAIN	1526291-1
	STATUS	AET P/N	PACKAGING	FINISH	PART NUMBER

THIS DRAWING IS A CONTROLLED DOCUMENT.		DWN D.A.A. 10/13/00	Tyco Electronics Corporation Harrisburg, PA 17105-3608			
DIMENSIONS: INCHES		CHK H.D.F. 10/13/00				NAME
		APVD H.D.F. 10/13/00	2 STANDARD TERMINAL W/SIGHT HOLE			
TOLERANCES UNLESS OTHERWISE SPECIFIED: 0 PLC ± - 1 PLC ± - 2 PLC ± - 3 PLC ± - 4 PLC ± - ANGLES ± -		PRODUCT SPEC -	RESTRICTED TO -			
MATERIAL COPPER ASTM B-152		FINISH -	APPLICATION SPEC -	SIZE A3	CAGE CODE 00779	DRAWING NO C-1526291
CUSTOMER DRAWING			WEIGHT -	SCALE 1:1	SHEET 1 OF 1	REV A2